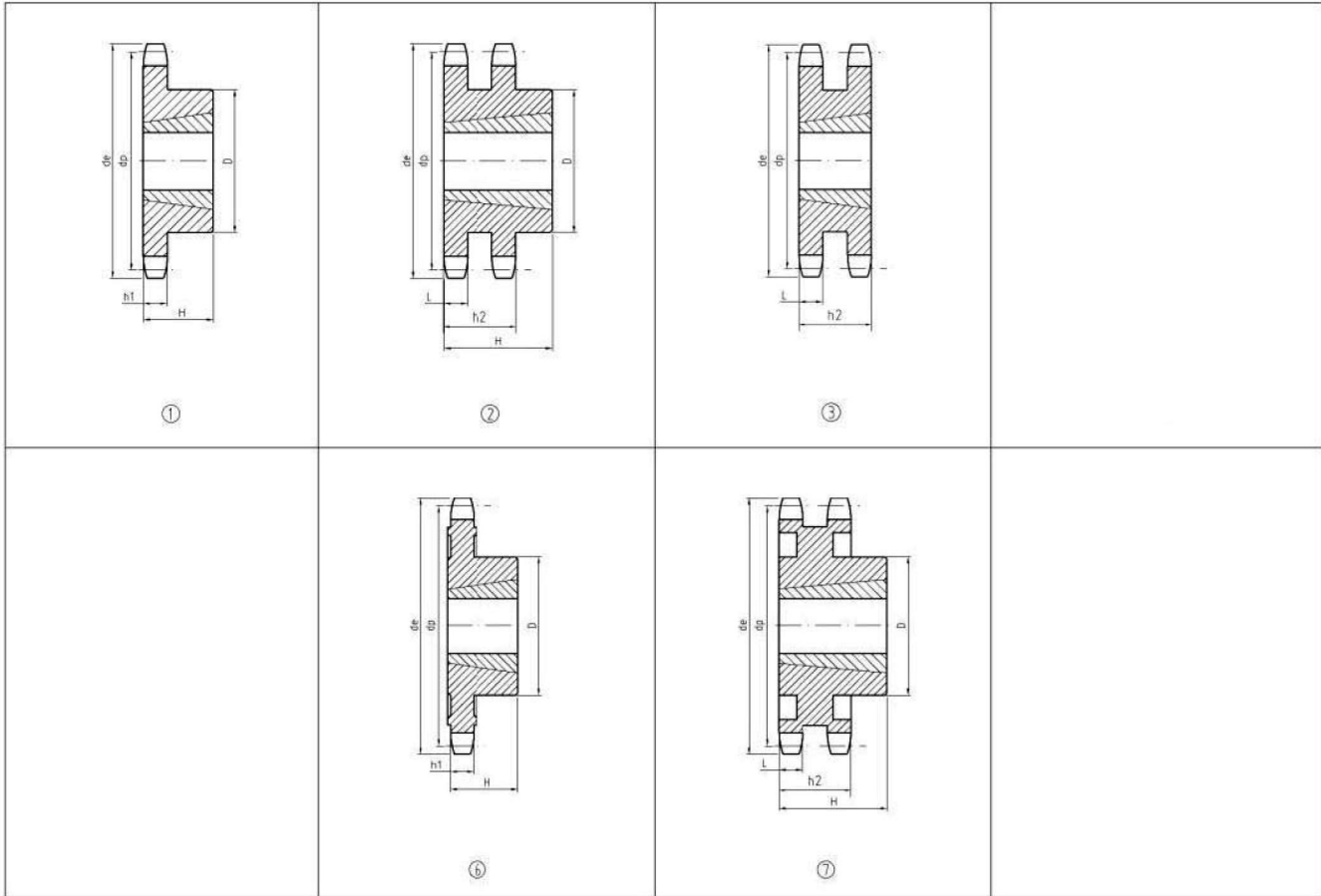




➤ Piñones



Transmisión

1/2" X5/16"

08B-1-2 12.5X7.75mm DIN 8187 ISO/R 606

CHAIN:	ISO mm
Pitch	12.7
Internal width	7.75
Roller Φ	8.51

SPROCKETS	ISO mm
Tooth radius r	13
Radius width C	1.3
Tooth width h ₁	7.2
Tooth width L	7
Tooth width h ₂	21

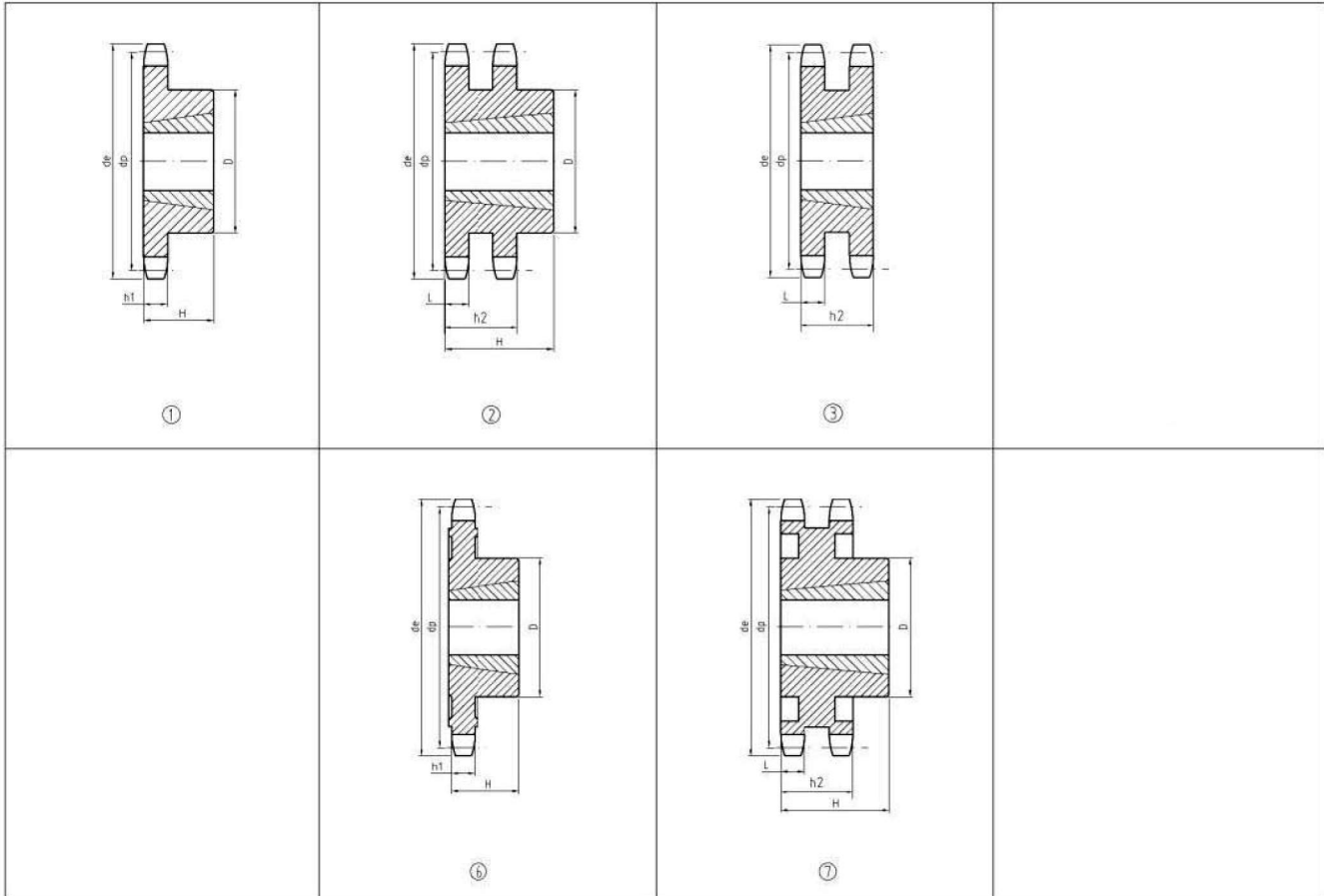
Steel=C45
*Cast iron=G22

Z	de	dp	TS				TD			
			D	H	for Bush	Type	D	H	for Bush	Type
15	65.5	61.90	45	22	1008	1	46	22	1008	2
17	73.6	69.11	60	25	1210	1	56	25	1210	2
19	81.7	77.16	63	25	1210	1	62	25	1210	2
21	89.7	85.22	71	25	1610	1	70	25	1610	2
23	98.2	93.27	76	25	1610	1	79	25	1610	2
25	105.8	101.33	76	25	1610	1	87	32	2012	2
27	114.0	109.40	76	25	1610	1	87	32	2012	2
30	126.1	121.50	90	32	2012	1	87	32	2012	2
38	158.6	153.80	90	32	2012	1	100	32	2012	2
*45	188.0	182.07	100	32	2012	1	100	32	2012	2
*57	236.4	230.54	100	32	2012	6	100	32	2012	7
*76	313.3	307.33	100	32	2012	6	100	32	2012	7





➤ Piñones



Transmisión

5/8" X 3/8"

10B-1-2 15.857X9.65mm DIN 8187 ISO/R 606

CHAIN:	ISO mm
Pitch	15.875
Internal width	9.65
Roller Φ	10.16

SPROCKETS	ISO mm
Tooth radius r	16
Radius width C	1.6
Tooth width h ₁	9.1
Tooth width L	9
Tooth width h ₂	25.5

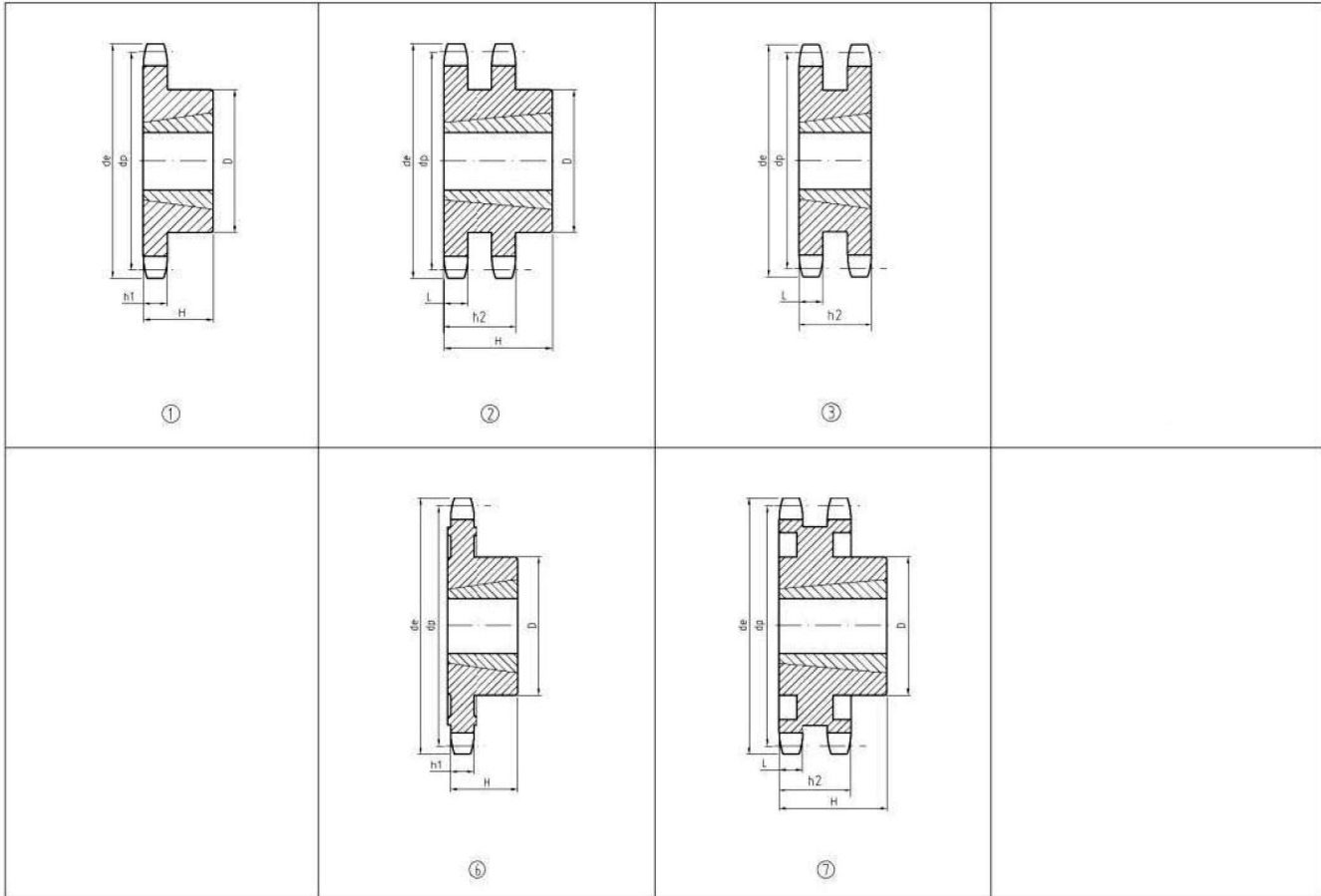
Steel=C45
*Cast iron=G22

Z	de	dp	TS				TD			
			D	H	for Bush	Type	D	H	for Bush	Type
13	73.0	66.32	47	22	1008	1	-	25.5	1210	3
15	83.0	76.36	60	25	1210	1	-	25.5	1610	3
17	93.0	86.36	71	25	1610	1	-	25.5	1610	3
19	103.3	96.45	75	25	1610	1	-	25.5	1610	3
21	113.4	106.52	76	25	1610	1	-	25.5	1610	3
23	123.4	116.58	76	25	1610	1	90	32	2012	2
25	134.0	126.66	90	32	2012	1	90	32	2012	2
27	144.0	136.75	90	32	2012	1	90	32	2012	2
30	158.8	151.87	90	32	2012	1				
38	199.2	192.24	100	32	2012	1				
45	235.0	227.58	100	32	2012	6				
*57	296.0	288.18	100	32	2012	6				
*76	392.1	384.16	100	32	2012	6				





➤ Piñones



Transmisión

3/8 " X7/32 "

Steel=C45
*Cast iron=G22

06B-1-2 9.525X5.72mm DIN 8187 ISO/R 606

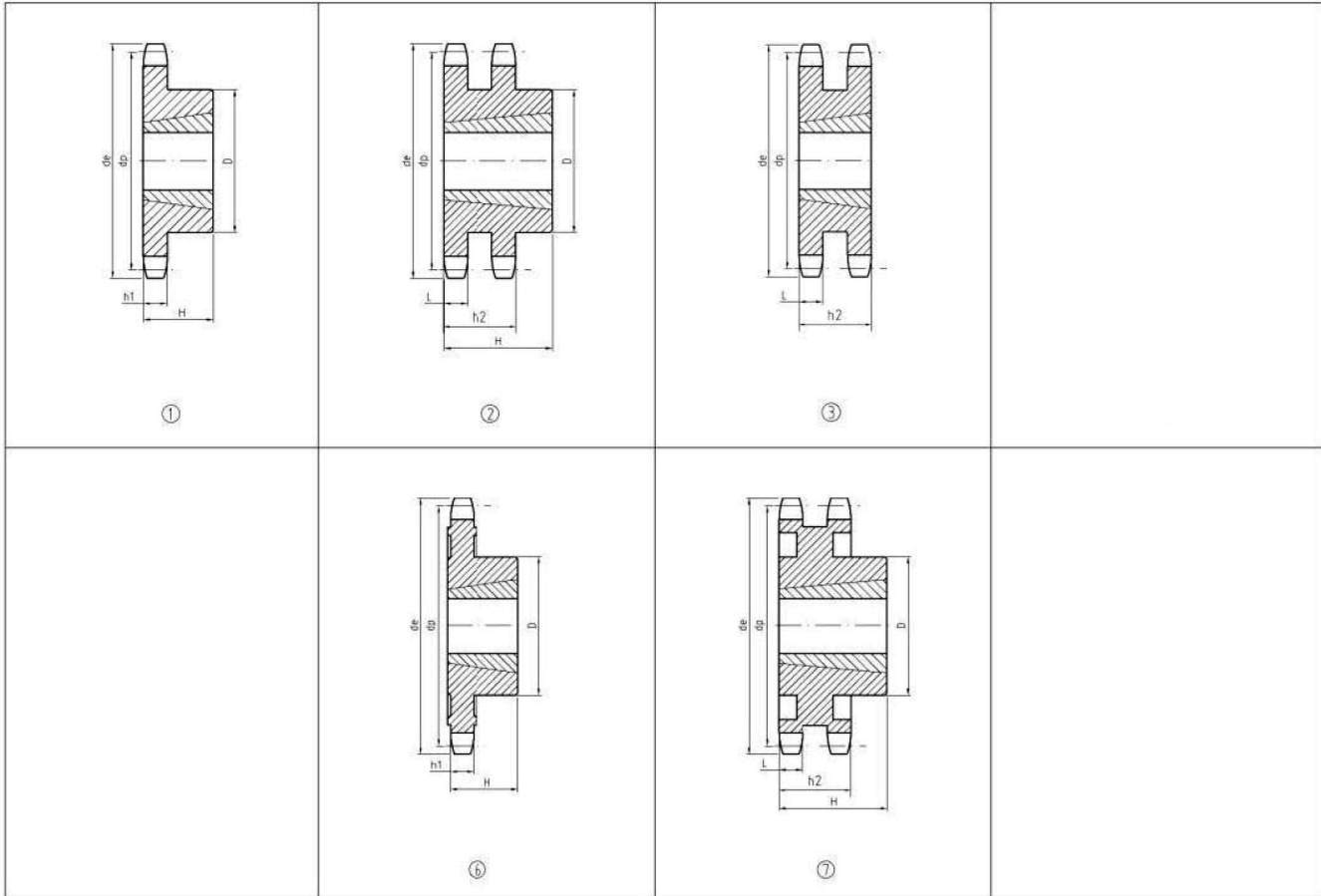
CHAIN:	ISO mm	SPROCKETS	ISO mm
Pitch	9.525	Tooth radius r	10
Internal width	5.72	Radius width C	1
Roller Φ	6.35	Tooth width h ₁	5.3
		Tooth width L	5.2
		Tooth width h ₂	15.4

Z	de	dp	TS				TD			
			D	H	for Bush	Type	D	H	for Bush	Type
17	55.3	51.83	45	22	1008	1	41	22	1008	2
19	61.3	57.87	45	22	1008	1	46	22	1008	2
21	68.0	63.91	46	22	1008	1	49	22	1008	2
23	73.5	69.95	63	25	1210	1	59	25	1210	2
25	80.0	76.02	63	25	1210	1	64	25	1210	2
27	86.0	82.2	63	25	1210	1	70	25	1210	2
30	94.7	91.12	63	25	1210	1	75	25	1210	2
*38	119.5	115.35	70	25	1210	1	80	25	1610	2
*45	140.7	136.55	70	25	1210	1	80	25	1610	2
*57	176.9	172.91	70	25	1210	6	80	25	1610	7
*76	234.9	230.49	70	25	1210	6	80	25	1610	7





➤ Piñones



Transmisión

3/4 " X7/16 "

Steel=C45
*Cast iron=G22

12B-1-2 19.05X11.68mm DIN 8187 ISO/R 606

CHAIN:	ISO mm
Pitch	19.05
Internal width	11.68
Roller Φ	12.07

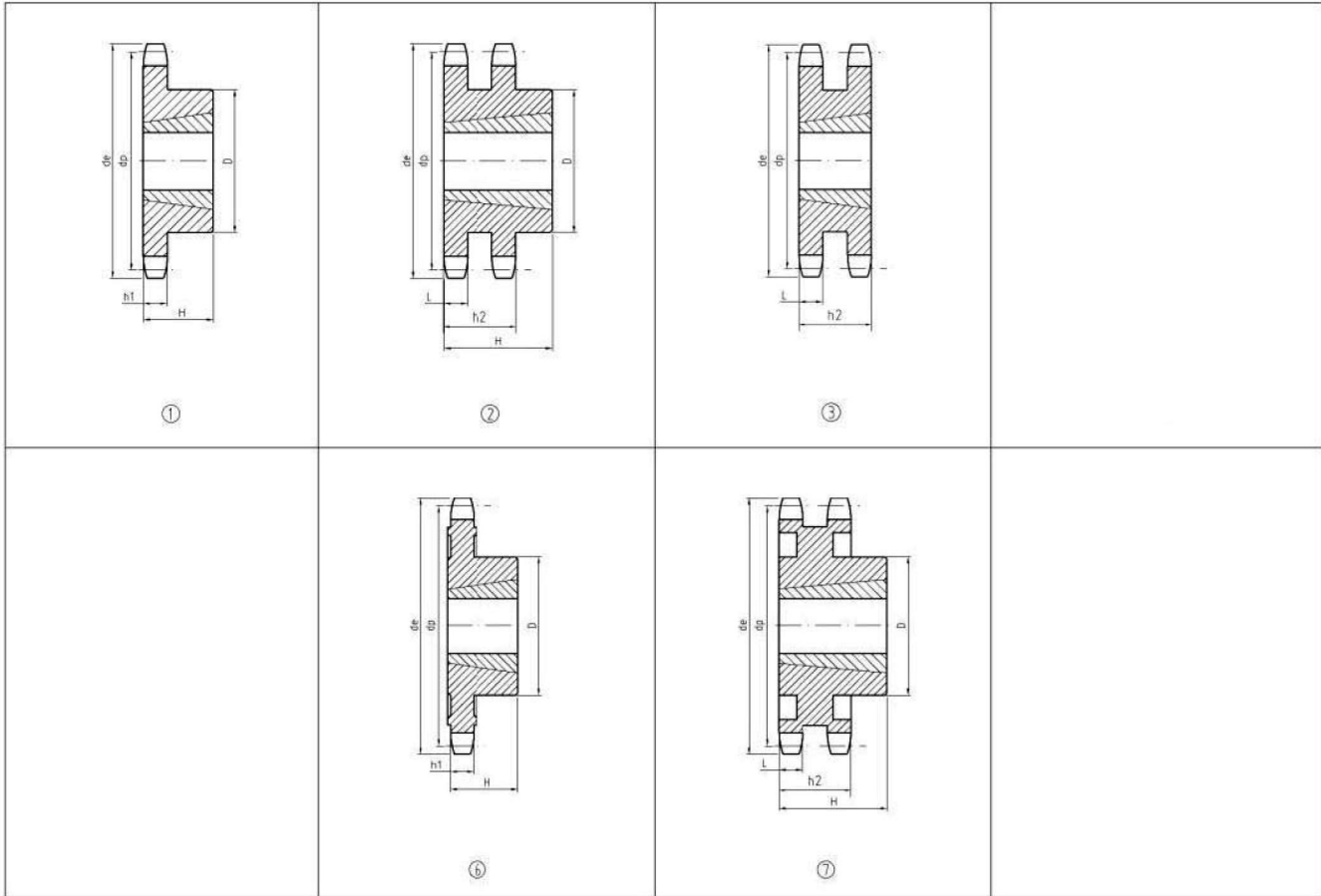
SPROCKETS	ISO mm
Tooth radius r	19
Radius width C	2
Tooth width h ₁	11.1
Tooth width L	10.8
Tooth width h ₂	30.3

Z	de	dp	TS				TD			
			D	H	for Bush	Type	D	H	for Bush	Type
13	87.5	79.59	60	25	1210	1	-	30.3	1610	3
15	99.8	91.63	70	25	1610	1	-	30.3	1610	3
17	111.5	103.67	76	25	1610	1	-	30.3	1610	3
19	124.2	115.75	90	32	2012	1	90	32	2012	2
21	136.0	127.82	102	45	2517	1	108	45	2517	2
23	149.0	139.90	108	45	2517	1	108	45	2517	2
25	160.0	152.00	108	45	2517	1	108	45	2517	2
27	172.3	164.00	108	45	2517	1	108	45	2517	2
30	190.5	182.25	108	45	2517	1	108	45	2517	2
38	239.0	230.69	108	45	2517	1	140	51	3020	2
45	282.5	273.10	108	45	2517	6	140	51	3020	7
*57	355.4	345.81	108	45	2517	6	140	51	3020	7
*76	469.9	460.99	108	45	2517	6	140	51	3020	7





➤ Piñones



Transmisión

1" X17.02"

16B-1-2 25.4X17.2mm DIN 8187 ISO/R 606

Steel=C45
*Cast iron=G22

CHAIN:	ISO mm	SPROCKETS	ISO mm
Pitch	25.4	Tooth radius r	26
Internal width	17.02	Radius width C	2.5
Roller Φ	15.88	Tooth width h_1	16.2
		Tooth width L	15.8
		Tooth width h_2	47.7

Z	de	dp	TS				TD			
			D	H	for Bush	Type	D	H	for Bush	Type
13	117.0	106.12	73	38	1615	1				
15	133.0	122.17	76	38	1615	1	-	47.7	2012	
17	149.0	138.22	90	32	2012	1	-	47.7	2517	
19	165.2	154.33	108	45	2517	1	-	47.7	2517	
21	181.2	170.43	110	45	2517	1	140	51	3020	
23	197.5	186.53	110	45	2517	1	140	51	3020	
25	213.5	202.66	110	45	2517	1	140	51	3020	
27	229.6	218.79	110	45	2517	1	140	51	3020	
30	254.0	243.00	140	51	3020	1	140	76	3030	
38	320.7	307.59	140	51	3020	1	140	76	3030	
45	377.1	364.13	140	51	3020	6	140	76	3030	
*57	474.0	461.07	140	51	3020	6	175	89	3535	
*76	627.0	614.65	140	51	3020	6	175	89	3535	

